

AC FLOOD LIGHT: NIGHT OWL GS-NO-(30W-50W-75W-96W-145W-200W-230W-260W-300W)

General

- Night Owl IF LED flood light provides general area lighting and improves the overall look of facades and signage.
- The slim, low profile design adds architectural appeal to any general flood lighting application with crisp uniform white light that offer high performance maximizing energy savings. With remarkable light quality and smooth white light, buildings and signage will stand out in the crowd.

Electrical

- Input Voltage: 100-240V, 50/60Hz
- Power Factor: Up to 0.98 at full load
- Surge Protection: 10kV CM/6kVDM surge immunity according to EN 61000-4-5 and EN 61547

Applications

- Industry
- Parking Lots
- Monuments
- Buildings
- General Area Spaces

Construction & Materials

- Die cast aluminum housing treated with electrophoresis and powder coating for strong anti-corrosion performance.
- Extra clear silk printed tempered glass
- Bracket surface featuring hot galvanizing processing, providing strong corrosion resistance.
- Tool-less entry through buckles integrated
- Tool free adjustable bracket +/-90 by means of mechanics
- Lifetime: >50000hrs Ta=25°C
- Operating temperature rating of -40°F to 122°F (-40°(to 50°(



Certifications



AMERICAN COMBAT VETERAN OWNED COMPANY



405-673-8684

www.gridshiftsolar.lighting

GRIDSHIFT™
SOLAR LIGHTING

Corporate: 2803 Broadway Ct. Edmond, OK 73013
California: 1341 Distribution Way, Suite 20, Vista, CA 92081

GridSet is a trademark of GridShift Solutions, LLP



Wounded Warrior Project

AC FLOOD LIGHT: NIGHT OWL GS-NO-(30W-50W-75W-96W-145W-200W-230W-260W-300W)

MODEL	WATTS	LUMINAIRE LUMEN OUTPUT	EFFICACY	IP & IK	FIXTURE DIMENSIONS	NW	MAXIMUM CURRENT
Night Owl-30W IF	30W	4350lm	145 lm/w	IP65 & IK07	11.1" x 8.66" x 2.05"	3.73lb	AC 0.34A(max)
Night Owl-50W IF	50W	6500lm	130 lm/w	IP65 & IK07	11.1" x 8.66" x 2.05"	3.95lb	AC 0.55A(max)
Night Owl-75W IF	75W	10500lm	140 lm/w	IP65 & IK07	13.27" x 10.59" x 2.05"	6.06lb	AC 0.83A(max)
Night Owl-96W IF	96W	14400lm	150 lm/w	IP65 & IK07	16.38" x 11.81" x 2.17"	10.18lb	AC 1.06A(max)
Night Owl-145W IF	145W	19575lm	135 lm/w	IP65 & IK07	16.38" x 11.81" x 2.17"	10.58lb	AC 1.6A(max)
Night Owl-200W IF	200W	25000lm	125 lm/w	IP65 & IK07	19.25" x 13.78" x 2.32"	12.79lb	AC 2.2A(max)
Night Owl-230W IF	230W	27600lm	120 lm/w	IP65 & IK07	19.25" x 13.78" x 2.32"	13.00lb	AC 2.5A(max)
Night Owl-260W IF	260W	37700lm	145 lm/w	IP65 & IK07	19.53" x 19.80" x 2.56"	24.03lb	AC 2.9A(max)
Night Owl-300W IF	300W	40500lm	135 lm/w	IP65 & IK07	19.53" x 19.80" x 2.56"	24.03lb	AC 3.3A(max)

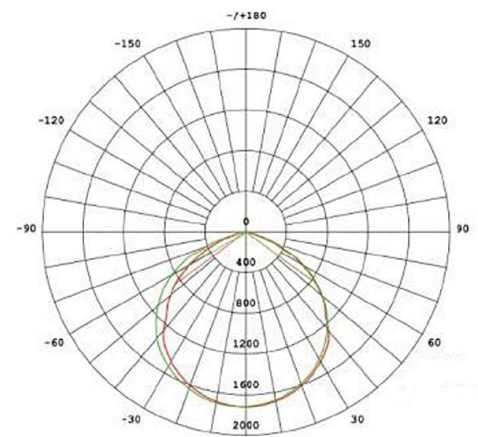
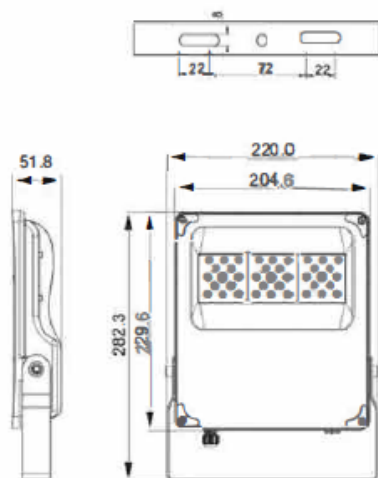
Ordering Information

GS-NO- - - - - -

WATTS	CCT&CRI	OPTICS	HOUSING	VOLTAGE	LED CHIPS
30W	2770=2700K 70CRI	25D=25°	BK=Black	NV=100-277V	L3=Lumileds3030
50W	3070=3000K 70CRI	60D=60°	SG=Silver Gray		
75W	4070=4000K 70CRI	90D=90°			
96W	5070=5000K 70CRI	110D=110°			
145W	5770=5700K 70CRI	120D=120°			
200W	6570=6500K 70CRI	T2=Type II			
230W	2780=2700K 80CRI	T3=Type III			
	3080=3000K 80CRI	T4=Type IV			
	4080=4000K 80CRI	T5=Type V			
	5080=5000K 80CRI				
	5780=5700K 80CRI				

Night Owl-30W

50-90W HPS/MH Replacement
Optional Beam Angle: 110°



UNIT: od
 — V 0.0DEG PLAN, 107.4 Ic:172
 — H 0.0DEG PLAN, 113.2 Ic:172



AMERICAN COMBAT VETERAN OWNED COMPANY



405-673-8684

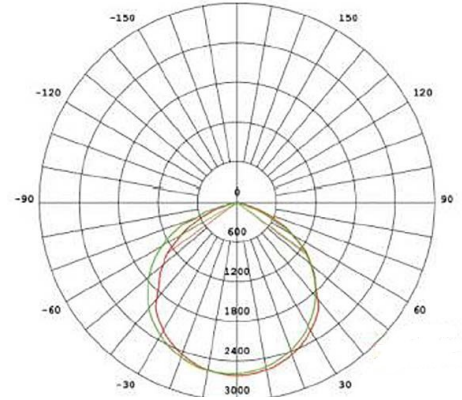
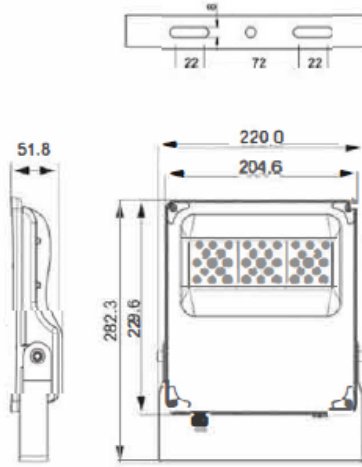
www.gridshiftsolar.lighting



AC FLOOD LIGHT: NIGHT OWL GS-NO-(30W-50W-75W-96W-145W-200W-230W-260W-300W)

Night Owl-50W

10-130W HPS/MH Replacement
Optional Beam Angle: 110°

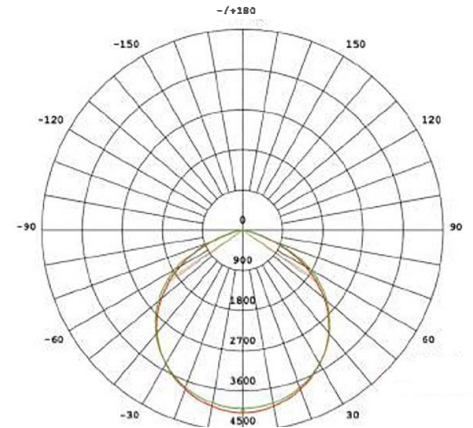
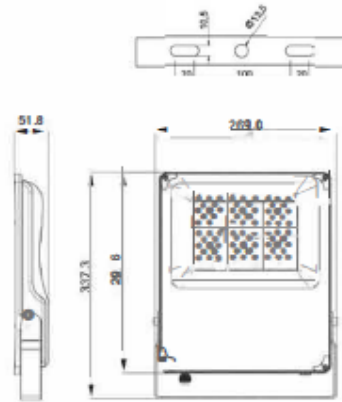


UNIT: od

V 0.0DEG PLAN, 108.0 Ic:262
H 0.0DEG PLAN, 113.4 Ic:262

Night Owl-75W

120-210W HPS/MH Replacement
Optional Beam Angle: 110°



UNIT: od

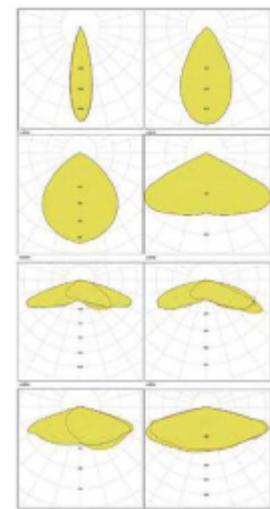
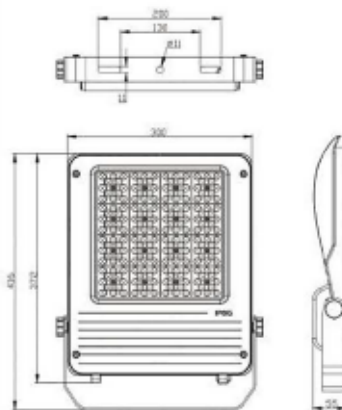
V 0.0DEG PLAN, 109.7 Ic:408
H 0.0DEG PLAN, 112.5 Ic:408

Night Owl-96W

160-300W HPS/MH Replacement
Optional Beam Angle: 30°/60°/90°/120°/
Type2/Type3/Type4/Type5/110°



Flippable Version



AMERICAN COMBAT VETERAN OWNED COMPANY



405-673-8684
www.gridshiftsolar.lighting



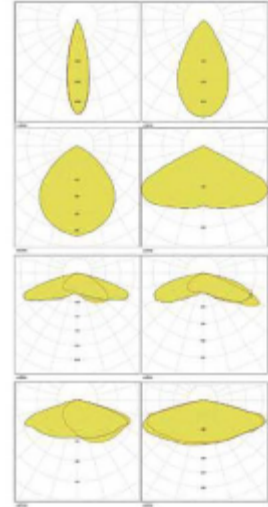
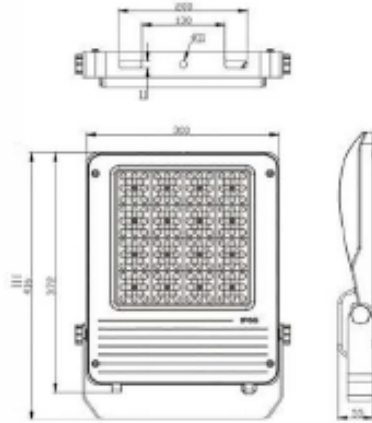
AC FLOOD LIGHT: NIGHT OWL GS-NO-(30W-50W-75W-96W-145W-200W-230W-260W-300W)

Night Owl-145W

220-400W HPS/MH Replacement
 Optional Beam Angle: 30°/60°/90°/120°/
 Type2/Type3/Type4/Type5/110°

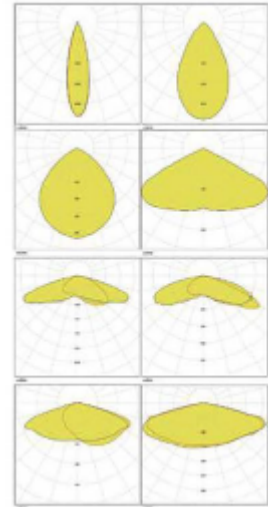
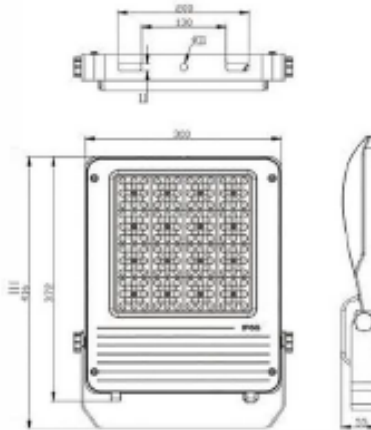


Flippable Version



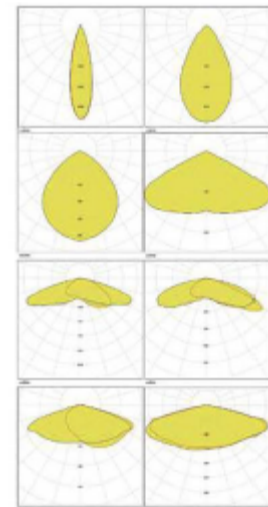
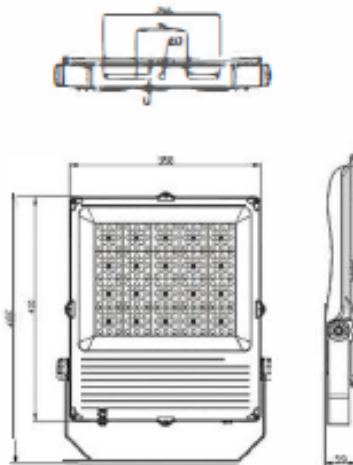
Night Owl-200W

280-500W HPS/MH Replacement
 Optional Beam Angle: 30°/60°/90°/120°/
 Type2/Type3/Type4/Type5/110°



Night Owl -230W

300-500W HPS/MH Replacement
 Optional Beam Angle: 30°/60°/90°/120°/
 Type2/Type3/Type4/Type5/110°



AMERICAN COMBAT VETERAN OWNED COMPANY



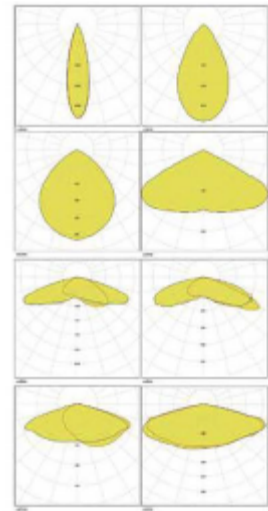
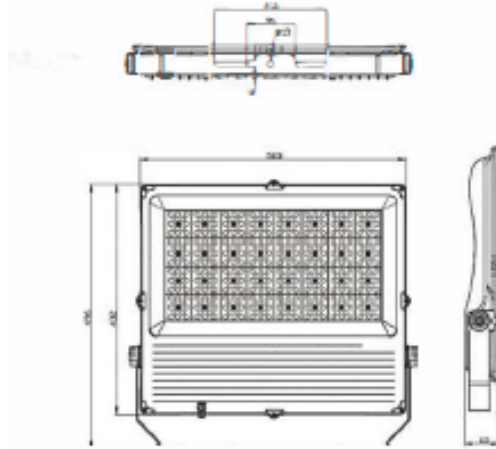
405-673-8684
www.gridshiftsolar.lighting



AC FLOOD LIGHT: NIGHT OWL GS-NO-(30W-50W-75W-96W-145W-200W-230W-260W-300W)

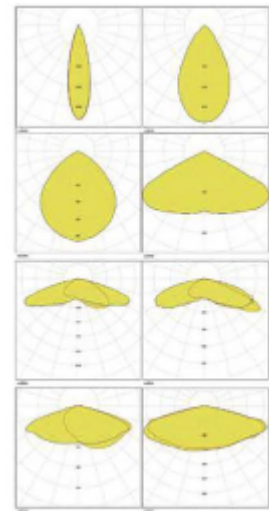
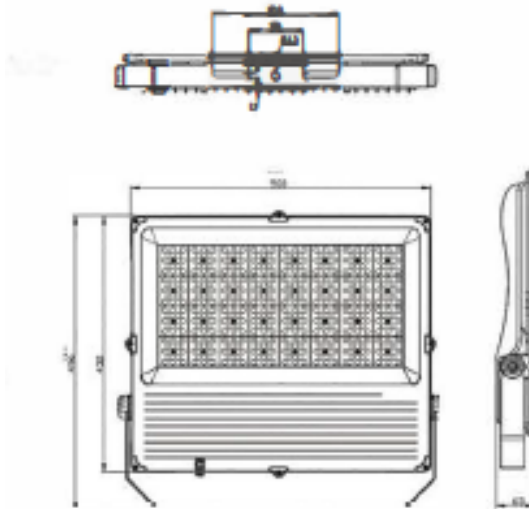
Night Owl -260W

420-750W HPS/MH Replacement
 Optional Beam Angle: 30°/60°/90°/120°/
 Type2/Type3/Type4/Type5/110°



Night Owl-300W

450-800W HPS/MH Replacement
 Optional Beam Angle: 30°/60°/90°/120°/
 Type2/Type3/Type4/Type5/110°



AMERICAN COMBAT VETERAN OWNED COMPANY



405-673-8684
www.gridshiftsolar.lighting

