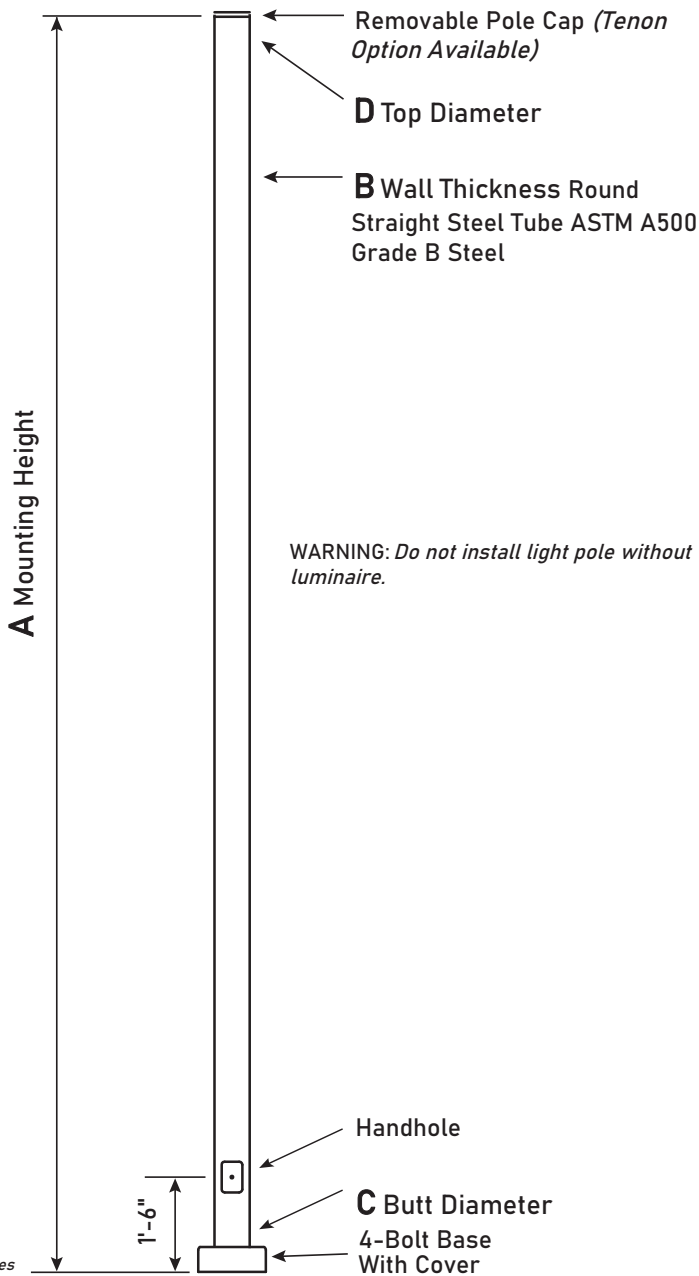


**Round Straight Steel Pole
No Arm — 4-Bolt Base**


Dimensions in Inches

C BUTT DIA.	D TOP DIA.	F BOLT CIR. DIA.	G BASE Sq.	H BOLT PROJ.	I BOLT SIZE
3	3	7.5 - 8.5	8	3.75	.75 x 17 x 3
4	4	7.5 - 8.5	8	3.75	.75 x 17 x 3
4.5	4.5	7.5 - 8.5	8	3.75	.75 x 17 x 3
5 (11 Gauge)	5	7.5 - 8.5	8	3.75	.75 x 17 x 3
5 (7 Gauge)	5	8 - 9	8.75	4.875	1 x 36 x 4

Pole

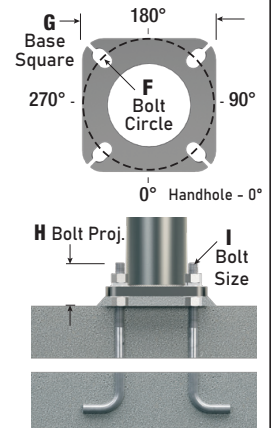
Pole shaft shall be weldable-grade, cold-rolled, commercial quality carbon steel tubing conforming to ASTM A500 Grade B. Options include 11 gauge and 7 gauge. All welds shall conform to AWS D1.2 using ER70S-6 electrodes.

Base Style

4-Bolt Steel Base Plate of fabricated hot rolled carbon steel conforming to ASTM A36 or equivalent (36 ksi minimum yield) with 2-piece Base Cover and attaching hardware.


Anchorage

Anchorage Kit will include four (4) L-shaped Steel Anchor Bolts conforming to AASHTO M314-90 Grade 55. Ten inches (10") of threaded end will be galvanized per ASTM A153. Kits will contain eight (8) Hex Nuts, four (4) Lock Washers, and eight (8) Flat Washers (all components Galvanized Steel). A paper bolt circle template will be provided.


Handhole
3" Butt Diameter -

Reinforced, 2" x 4" Handhole with cover and stainless steel screws. A grounding provision incorporating a tapped 1/2"-13NC hole will be provided.

4"+ Butt Diameters -

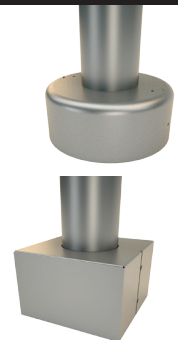
Reinforced, 3" x 5" Handhole with cover, stainless steel screw and backbar. A grounding provision incorporating a tapped 1/2"-13NC hole will be provided.


Base Cover

Round ABS plastic Base Covers are standard in all 11 Gauge RSS poles specified in powder coat finishes BA-Black, BM-Dark Bronze and BH-White.

Square metal powder coated Base Covers are standard in all 11 Gauge RSS poles that are specified in colors other than BA, BM, and BH and in all 7 Gauge poles in ALL COLORS.

Custom specification of RSS Square Metal style Base Covers in BA, BM and BH powder coated finishes is available.


AMERICAN COMBAT VETERAN OWNED COMPANY


405-673-8684

www.gridshiftsolar.lighting

A Mtg. Hgt.	B WALL GAUGE	C BUTT DIA.	TOTAL LUM. WEIGHT	MAXIMUM EPA					CATALOG NUMBER	
				90	100	110	120	130		140
8	11	3	525	10.1	8.0	7.4	6.1	5.0	4.2	RSS08B3-4-**-**
8	11	4	600	21.4	17.1	15.9	13.1	11.0	9.4	RSS08B4-4-**-**
10	11	3	435	8.1	6.3	5.8	4.7	3.8	3.1	RSS10B3-4-**-**
10	11	4	600	16.7	13.2	12.2	10.0	8.3	7.0	RSS10B4-4-**-**
10	11	4.5	600	22.4	17.8	16.5	13.6	11.5	9.9	RSS10BG-4-**-**
12	11	3	370	6.4	4.9	4.5	3.5	2.8	2.2	RSS12B3-4-**-**
12	11	4	600	13.2	10.3	9.5	7.7	6.3	5.2	RSS12B4-4-**-**
12	11	4.5	600	18.1	14.2	13.1	10.7	9.0	7.7	RSS12BG-4-**-**
14	11	3	315	5.1	3.8	3.4	2.6	1.9	1.4	RSS14B3-4-**-**
14	11	4	550	10.7	8.3	7.6	6.0	4.7	3.9	RSS14B4-4-**-**
14	11	4.5	600	14.7	11.4	10.5	8.4	7.0	6.0	RSS14BG-4-**-**
16	11	3	275	3.9	2.8	2.5	1.8	1.2	0.7	RSS16B3-4-**-**
16	11	4	470	8.8	6.6	6.0	4.6	3.5	2.8	RSS16B4-4-**-**
16	11	4.5	595	11.9	9.0	8.2	6.5	5.4	4.5	RSS16BG-4-**-**
18	11	3	245	2.9	1.9	1.6	1.0	-	-	RSS18B3-4-**-**
18	11	4	400	7.1	5.2	4.6	3.4	2.5	1.9	RSS18B4-4-**-**
18	11	4.5	505	9.7	7.2	6.5	5.0	4.1	3.4	RSS18BG-4-**-**
20	11	3	225	2.0	1.1	0.9	-	-	-	RSS20B3-4-**-**
20	11	4	340	5.6	3.9	3.5	2.4	1.5	1.1	RSS20B4-4-**-**
20	11	4.5	430	7.9	5.7	5.1	3.7	3.0	2.4	RSS20BG-4-**-**
20	11	5	540	10.5	7.7	7.1	5.7	4.7	3.9	RSS20B5-4-**-**
20	7	5	600	17.7	13.5	12.5	10.3	8.6	7.3	RSS20D5-4-**-**
22	11	4.5	370	6.3	4.4	3.8	2.6	2.0	1.6	RSS22BG-4-**-**
22	11	5	460	8.6	6.1	5.6	4.5	3.6	3.0	RSS22B5-4-**-**
22	7	5	600	13.4	9.9	9.2	7.5	6.2	5.1	RSS22D5-4-**-**
25	11	4	240	2.8	1.5	1.1	-	-	-	RSS25B4-4-**-**
25	11	4.5	290	4.4	2.7	2.2	1.2	0.8	-	RSS25BG-4-**-**
25	11	5	365	6.2	4.1	3.7	2.8	2.2	1.7	RSS25B5-4-**-**
25	7	5	565	11.8	8.0	7.4	5.9	4.8	4.0	RSS25D5-4-**-**
30	11	4.5	205	1.7	-	-	-	-	-	RSS30BG-4-**-**
30	11	5	245	3.1	1.3	1.1	0.6	-	-	RSS30B5-4-**-**
30	7	5	395	7.0	4.5	4.0	3.1	2.4	1.8	RSS30D5-4-**-**
35	7	5	270	3.8	1.7	1.4	0.8	-	-	RSS35D5-4-**-**

EPA Notes:

Effective Projected Area (EPA) in square feet. EPA's calculated using wind velocity (mph) indicated in accordance with 2009 AASHTO LTS-5 using a 25-year design life. Maximum EPA is based on the luminaire weight shown. Increased luminaire weight may reduce the maximum EPA. If weight is exceeded, or if other design life or code is required, please contact GridShift Solutions.

Vibration Damper

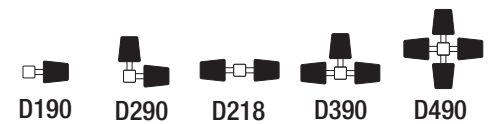
If determined necessary, an internal, factory installed, Second Mode Vibration Damper will be provided. Customer specification of the damper is available.

Mounting Options
Side Drill Mount

Includes removable pole cap. NOTE: A luminaire drilling template must be supplied at time of order.


Tenon Mount

For Tenon Mount applications specify both Tenon diameter and length.

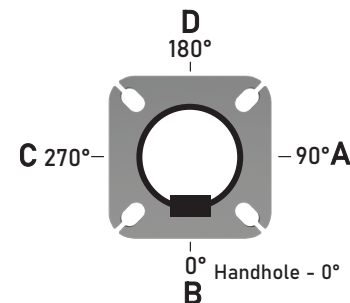

Drill Mount Options

Electrical Box


Box Only


 GF1
Duplex GFI
Receptacle
with Cover

 GF2
Duplex GFI
with In-Use
Cover

Note: GFI Options must be specified in Accessories.

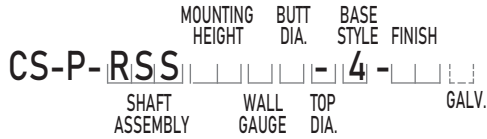
Pole Orientation

AMERICAN COMBAT VETERAN OWNED COMPANY


405-673-8684

www.gridshiftsolar.lighting

Catalog Number System

The catalog number utilizes the following identification system.


Catalog Number Example

CS-P-RSS 20 B 4 - 4 - BH

Round Straight Steel, 20' Mounting Height, 11 Gauge, 4" Butt Diameter, No Taper, 4-Bolt Base, White Powder Coat Finish.

RSS [Diagram showing the breakdown of RSS into its components]

HEIGHT	GAUGE	BUTT DIA.	TOP DIA.	BASE STYLE	FINISH	MOUNTING OPTIONS	ELECTRICAL BOX*	ACCESSORIES/OPTIONS*
8 = 8' 10 = 10' 12 = 12' 14 = 14' 16 = 16' 18 = 18' 20 = 20' 22 = 22' 25 = 25' 30 = 30' 35 = 35'	B = 11 Gauge D = 7 Gauge	3 = 3" 4 = 4" 4.5 = 4.5" 5 = 5"	"-" = No Taper	4 = 4-Bolt Base	POWDER COAT COLORS BA - Black Powder Coat BH - White Powder Coat BM - Dark Bronze Powder Coat BV - Dark Green Powder Coat GC - Gray Powder Coat SC - Special Colors* GALVANIZED 00G - Galvanized Only BAG - Black PC Over Galv. BHG - White PC Over Galv. BMG - D. Bronze PC Over Galv. BVG - D. Green PC Over Galv. GCG - Gray PC Over Galv. SCG - Special PC Over Galv.*	DRILL MOUNT D000 - No Drilling D190 - Std. "A" D290 - Std. "A" & "D" D218 - Std. "A" & "C" D312 - Std. 60°, 180° & 300° D390 - Std. "A", "D", & "C" D490 - Std. "A", "B", "C", & "D" DCUS - Custom* TENON T203 - 2-3/8" O.D. x 3" T204 - 2-3/8" O.D. x 4" T304 - 2-7/8" O.D. x 4" T356 - 3-1/2" O.D. x 6" T406 - 4" O.D. x 6" TCUS - Custom Tenon**	FA - 30" Up, "D" FB - 30" Up, "B" FC - 30" Up, "A" FD - 30" Up, "C" FE - 36" Up, "D" FF - 36" Up, "B" FG - 36" Up, "A" FH - 36" Up, "C" FI - 24" Up, "D" FK - 24" Up, "A" FL - 24" Up, "C" FZ - Custom**	C12 - Threaded 1/2" Coupling** C34 - Threaded 3/4" Coupling** C10 - Threaded 1" Coupling** EHH - Extra Handhole** GFI - Duplex GFI Receptacle (WR) with Cover GF2 - Duplex GFI (WR) with In-Use Cover LAB - Less Anchor Bolts LPC - Less Pole Cap PAB - Pre-shipped Anchor Bolts VDA - Vibration Damper

Powder Coated, Galvanized or Powder Coated over Galvanized Finish Per Customer Specification.



AMERICAN COMBAT VETERAN OWNED COMPANY



405-673-8684

www.gridshiftsolar.lighting

Corporate: 2803 Broadway Ct. Edmond, OK 73013
California: 1341 Distribution Way, Suite 20, Vista, CA 92081

Cuesta Sol is a trademark of GridShift Solutions, LLP