

Specification Highlights

- MADE IN USA
- 15" x 15" solar panel-10 Watt monocrystalline
- Lithium Iron Phosphate Battery
- Philips Lumileds 5050 LED
- 5 Year Standard Warranty
- Burn Time Certified
- Core Restore battery recycling included
- Wildlife/Turtle friendly amber CCT available

All in One Design

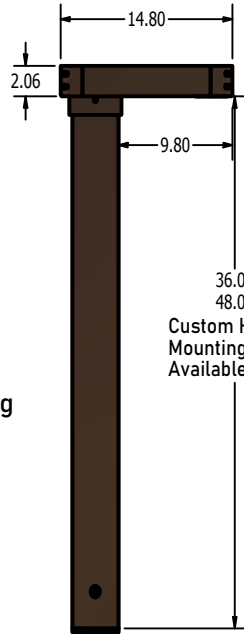
- Solar panel, battery & controller in one attractive luminaire
- No visible solar panel or battery box
- Low EPA for less strain on pole and lower install costs
- Easy retro-fit to existing poles



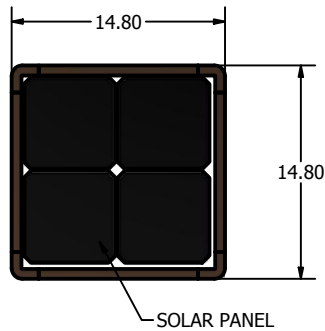
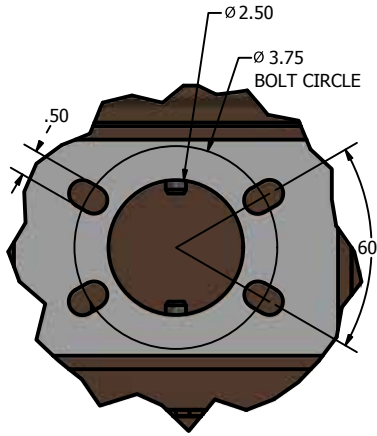
Exclusive Free
Battery Recycling
Program



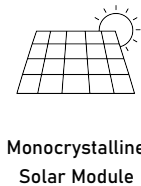
10 Year Available
15 Year Available



Certifications



Specifications	
Wattage	7 Watts LED
Battery	Lithium LifePO4
PV Panel	15 Watts Grade A
Charging Time	6 Hours Per Day
Material	Die Cast Aluminum
CCT	3000K-6500K
Lumens	1260
Autonomy	23 Hours at Full Charge
Height	39"
Finish	Bronze/White/Black/Grey
Option	Motion Sensor
Option	Pole Height



AMERICAN COMBAT VETERAN OWNED COMPANY



405-673-8684

www.gridshiftsolar.lighting

Corporate: 2803 Broadway Ct. Edmond, OK 73013
California: 1341 Distribution Way, Suite 20, Vista, CA 92081

Cuesta Sol is a trademark of GridShift Solutions, LLP

GRIDSHIFT™
SOLAR LIGHTING



Wounded Warrior Project