

Benefits

- Attractive Appearance
- Lower Installation Cost
- Lower Carbon Footprint
- No Power Outages
- Easy to Convert to Solar



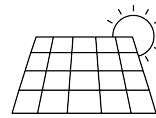
Exclusive Free
Battery Recycling
Program



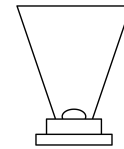
Certifications



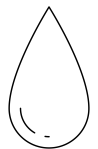
- 3000K/4000K/6000K CCT
- Optional PTC Auto Heat System idea for use in cold & snowy climates
- 210LM/W
- Bifacial solar panel increases efficiency 25%



Bifacial Solar
Module



Osram/
Phillips/
Nichia
LED Chips



IP65

Model	Power	PTC Auto Heating System	Solar Panel	Lumen	Battery	Beam Angle
CS-PAT-FL-PRO-15W-3KLM	15W	No	Bifacial 18V 25W	3000lm	11.1V 18AH Li-ion	Type III
CS-PAT-FL-PRO-PTC-15W-3KLM	15W	Yes	Bifacial 18V 25W	3000lm	11.1V 18AH Li-ion	Type III
CS-PAT-FL-PRO-25W-5KLM	25W	No	Bifacial 18V 45W	5000lm	11.1V 25AH Li-ion	Type III
CS-PAT-FL-PRO-PTC-25W-5KLM	25W	Yes	Bifacial 18V 45W	5000lm	11.1V 25AH Li-ion	Type III
CS-PAT-FL-PRO-30W-6KLM	30W	No	Bifacial 18V 45W	6000lm	11.1V 30AH Li-ion	Type III
CS-PAT-FL-PRO-PTC-30W-6KLM	30W	Yes	Bifacial 18V 45W	6000lm	11.1V 30AH Li-ion	Type III



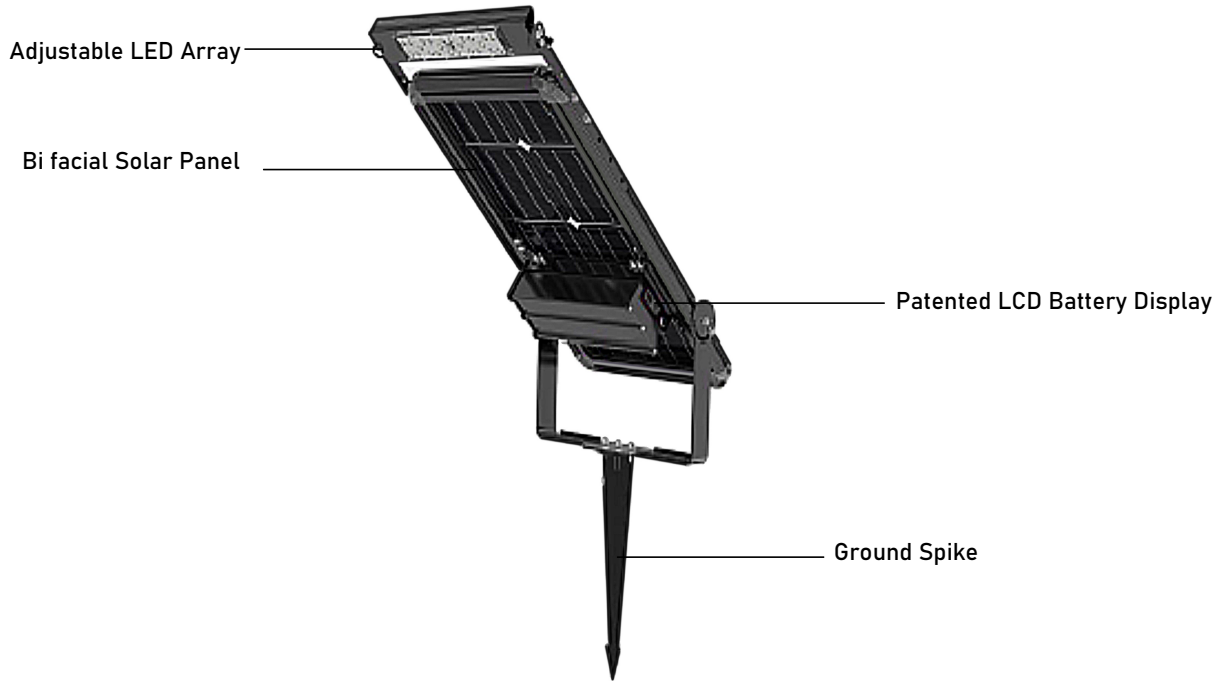
AMERICAN COMBAT VETERAN OWNED COMPANY



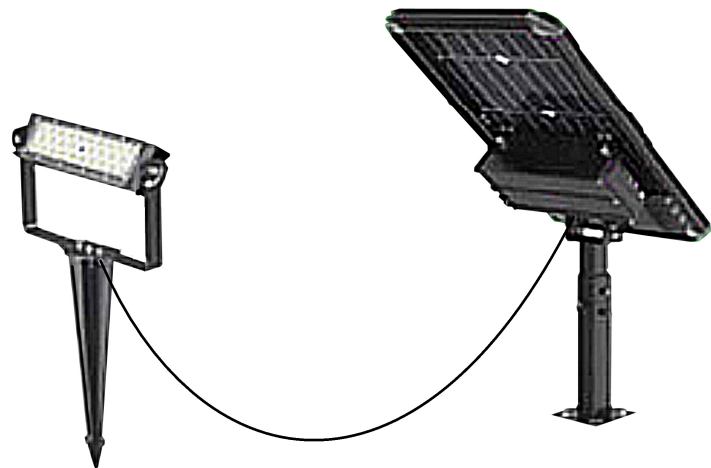
405-673-8684

www.gridshiftsolar.lighting





Installation Options



Split version available for installations affected by tree or building shadows.

Includes:
 32.8' External Wire
 U-Bracket & Ground Spike



AMERICAN COMBAT VETERAN OWNED COMPANY



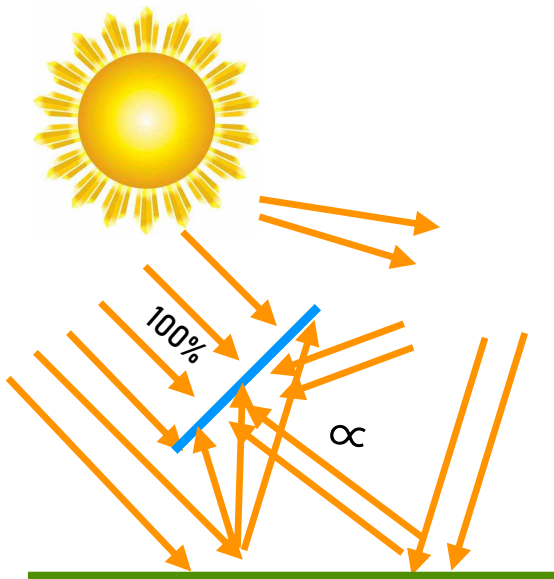
405-673-8684

www.gridshiftsolar.lighting

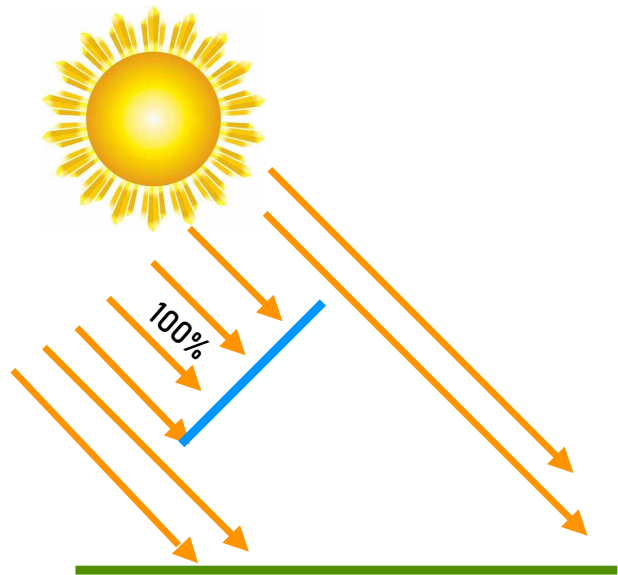
Corporate: 2803 Broadway Ct. Edmond, OK 73013
 California: 1341 Distribution Way, Suite 20, Vista, CA 92081

Cuesta Sol is a trademark of GridShift Solutions, LLP

Bi-facial solar panels are dual-sided solar panels which can collect sunlight from both front and rear sides. This increases output per panel (+25%) by catching additional reflected and scattered sunlight from the rear side.



Bi-facial Solar Panel



Conventional Solar Panel



AMERICAN COMBAT VETERAN OWNED COMPANY



405-673-8684

www.gridshiftsolar.lighting

