

Push Button SWL-PB

Specification

When the pedestrian pushes the button, the pre-warning system starts.

Material: Aluminum housing with stainless steel accessories

Protection Level: IP65

Operating Temperature: -4°F to +176°F

Film Color: Green / yellow / blue

Specification-Electrical

Contact Rating: 50W

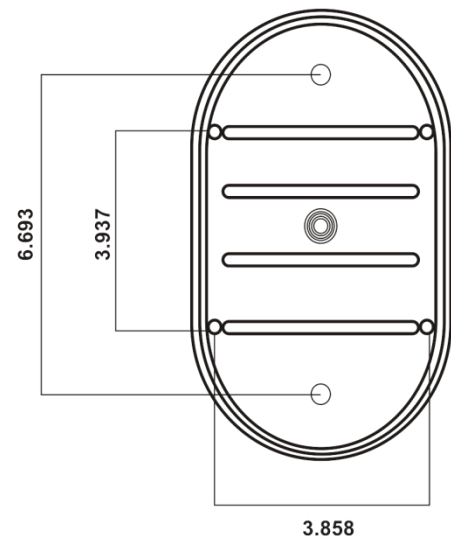
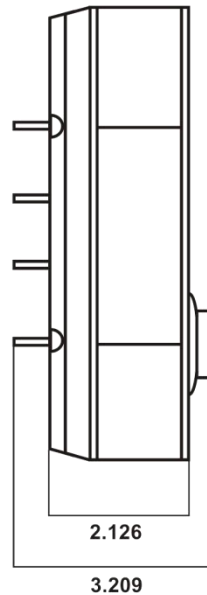
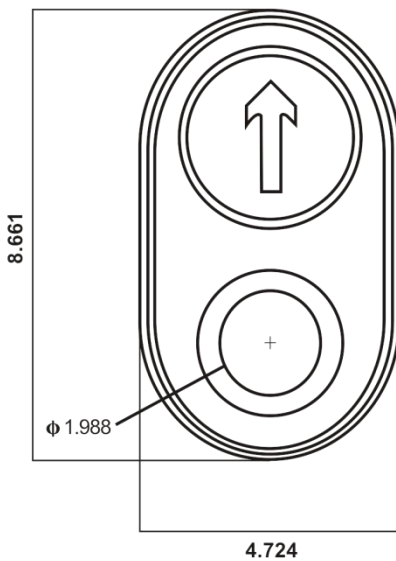
Max Switching Voltage: DC 200V

Max Switching Current: DC 0.5A

Max Carry Current: DC 1.0A



Structure Diagram



Unit: Inch



AMERICAN COMBAT VETERAN OWNED COMPANY



405-673-8684

www.gridshiftsolar.lighting