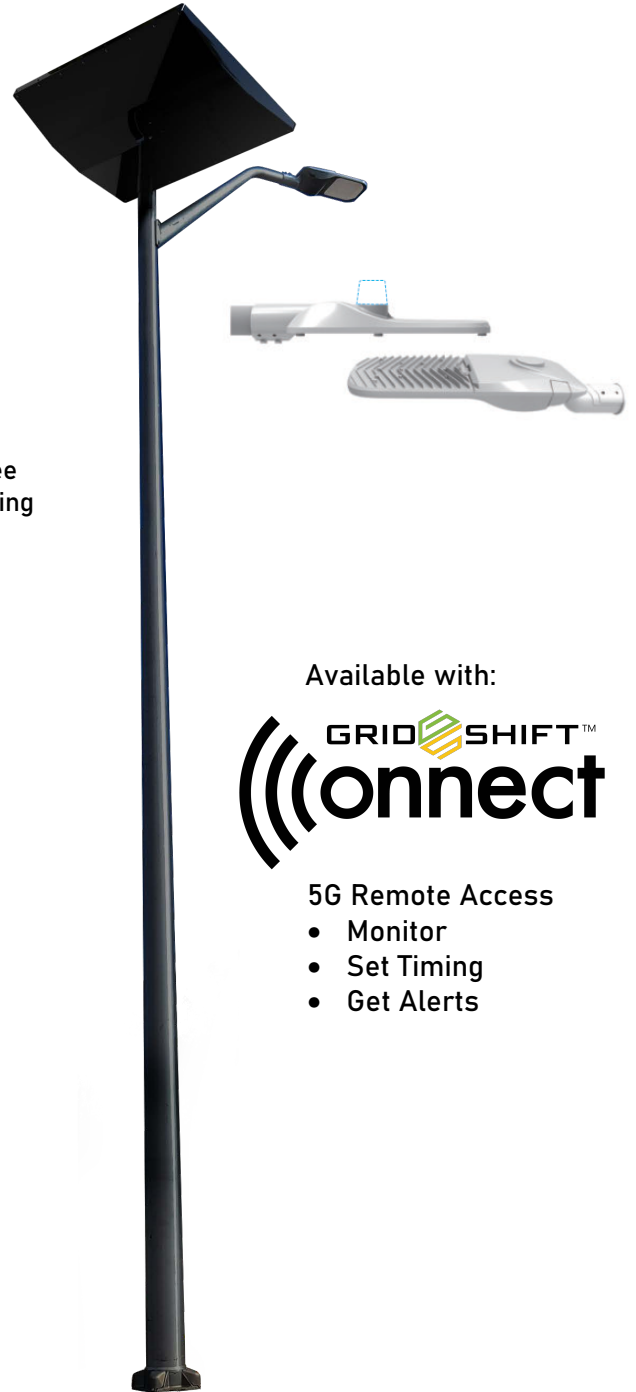


**General**

- Low profile design
- Photocell sensor
- Deep cycle battery will charge and discharge over 2000 times
- Works continuously 2-3 rainy days in intelligent mode
- Reserved sensor location for easy installation
- Powdering/PC + Tempered Glass
- Up to 177lm/w
- 8 Hour charge time
- 3000K-6500K CCT
- Wildlife/Turtle friendly amber CCT available



Exclusive Free  
Battery Recycling  
Program



**Certifications**

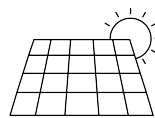


Available with:

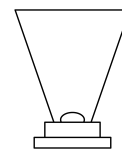


5G Remote Access

- Monitor
- Set Timing
- Get Alerts



Monocrystalline  
Solar Module



Philips Lumileds  
Luxeon 5050 Chips



IP65



Bluetooth  
Programming  
(optional)



**AMERICAN COMBAT VETERAN OWNED COMPANY**



405-673-8684

[www.gridshiftsolar.lighting](http://www.gridshiftsolar.lighting)

Corporate: 2803 Broadway Ct. Edmond, OK 73013  
 California: 1341 Distribution Way, Suite 20, Vista, CA 92081

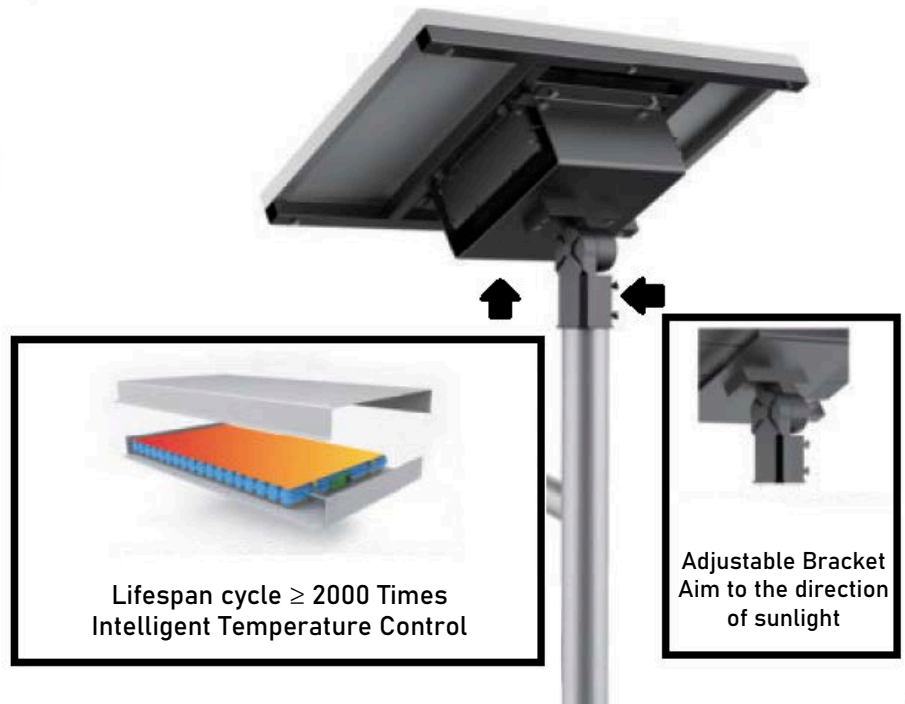
Cuesta Sol is a trademark of GridShift Solutions, LLP



Wounded Warrior Project

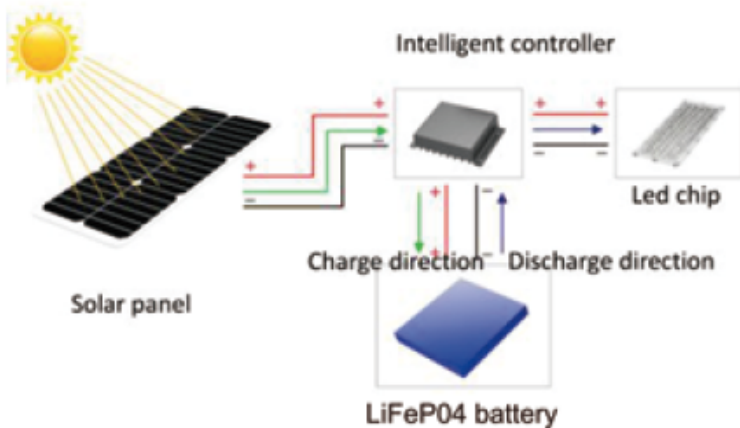
**Construction**

- Solar assembly construction marine grade aluminum and stainless steel
- UV stabilized polyester powder paint finish for durability and corrosion resistance
- Mounting options: side entry installation
- Streamlined design to reduce wind resistance



**Solar Panel**

- 25 Year Lifespan
- Conversion rate up to 30%
- Integral monocrystalline silicon solar panel



Where there is light radiation, photovoltaic modules are converted to electric energy by solar radiation. Then the intelligent controller is used to charge electric energy into the lithium iron phosphate battery. At the same time, the intelligent controller will protect the overcharge and over discharge of the battery. The lighting switches and adjusts intelligent control without manual operation.



**AMERICAN COMBAT VETERAN OWNED COMPANY**



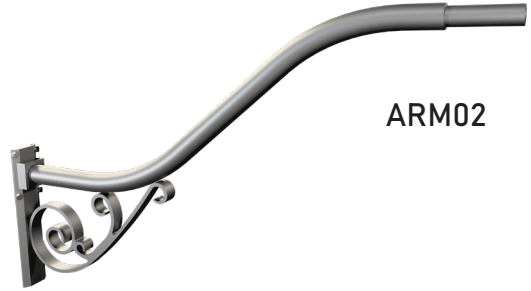
405-673-8684  
[www.gridshiftsolar.lighting](http://www.gridshiftsolar.lighting)



**Arm Options**



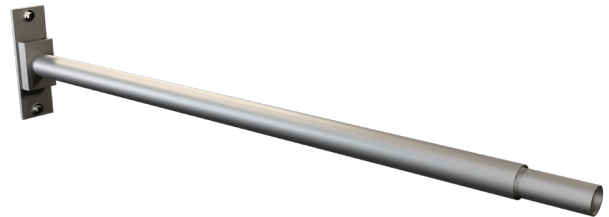
ARM01



ARM02



ARM03

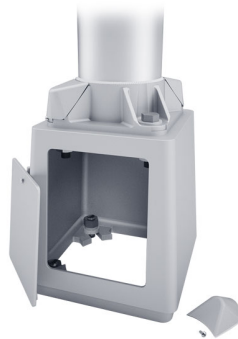


ARM04

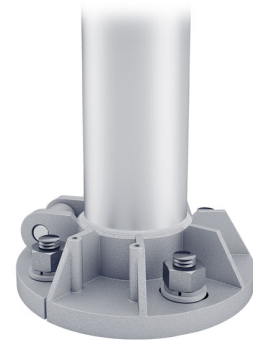
**Base Options**



4-Bolt Base



T-Base



Hinged Base

Multiple decorative and custom arm & pole options are available.  
 Please consult factory for full list of options.



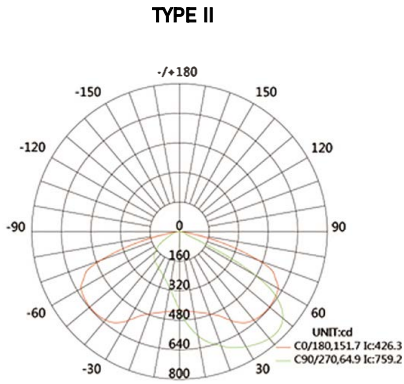
**AMERICAN COMBAT VETERAN OWNED COMPANY**



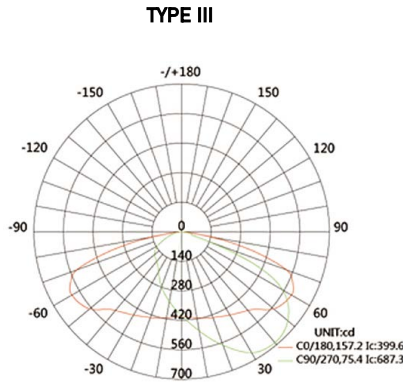
405-673-8684  
[www.gridshiftsolar.lighting](http://www.gridshiftsolar.lighting)



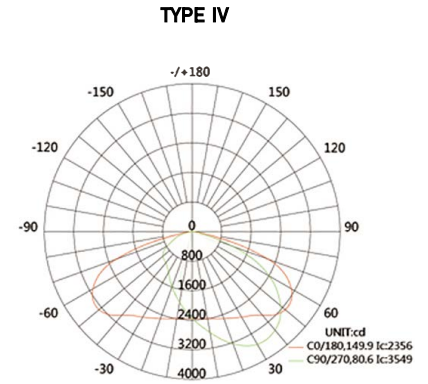
### Photometry



Average Beam Angle (50%): 108.3° Unit:cd



Average Beam Angle (50%): 116.3° Unit:cd



Average Beam Angle (50%): 115.3° Unit:cd

	CS-PRE-20W	CS-PRE-40W	CS-PRE-60W	CS-PRE-80W	CS-PRE-100W
<b>Wattage</b>	20W	40W	60W	80W	100W
<b>LED Chip</b>	5050	5050	5050	5050	5050
<b>Lumen Output</b>	3540lm	6680lm	10080lm	13440lm	16800lm
<b>Efficacy</b>	177lm/w	167lm/w	168lm/w	168lm/w	168lm/w
<b>Optional Beam Angle</b>	T2/T3/T4				
<b>CRI</b>	>Ra70, >Ra80, >Ra90				
<b>Input Voltage</b>	12-24V DC				
<b>Photovoltaic Panel</b>	Double Crystal Photovoltaic Panel				
<b>Solar Panel</b>	18V/70W	18V/130W	36V/200W	36V/260W	36V/280W
<b>Lithium-Ion Battery</b>	691.2WH 12.8V 54AH	1382.4WH 12.8V 102AH	2150.4WH 25.6V 84AH	2611.2WH 25.6V 102AH	2611.2WH 25.6V 102AH
<b>Discharge Time (Full Charge)</b>	30 Hours				
<b>Installation Height</b>	10-13ft	16-19ft	22-26ft	29-32ft	36-39ft
<b>Working Temperature</b>	14°F to 122°F				
<b>Charging Temperature</b>	32°F to 113°F				
<b>Control System</b>	MPPT Intelligent Controller				
<b>Motion Sensor Mode</b>	30%-100% 102hrs (Max) 20%-80% 155hrs (Max)				
<b>Constant Mode (Full Charge)</b>	100% 30hrs 70% 45hrs 40% 78hrs				
<b>Wildlife &amp; Turtle Friendly CCT</b>	5050 LED Chips, 1900K CCT, 1.8% blue light content, 400-500 nanometer range of the visible light spectrum				
<b>Control Options</b>	Photocell sensor, timing, dimming, intelligent power saving, microwave sensor available				



**AMERICAN COMBAT VETERAN OWNED COMPANY**



405-673-8684  
[www.gridshiftsolar.lighting](http://www.gridshiftsolar.lighting)





**CS-PRE-(20W-40W-60W-80W-100W)-1**



**CS-PRE-(20W-40W-60W-80W-100W)-2**

Model #	Watts	Voltage	Sensor Type (00-Without SN-Motion PH-Photocell DV-Dimmable)	Color Temp in 100K	CRI	Available Optic Types	Arm Style (01/02/03/04)	Optional 5G Remote Access (Yes/No)	Style (See Above)
Cuesta Sol CS-PRE	20	NV=12 DC	00 / SN / PH / DV	19K / 30K / 40K / 50K / 57K / 65K	70 CRI / 80 CRI	II / III / IV / V	01/02/03/04	Y / N	1 / 2
Cuesta Sol CS-PRE	40	NV=12 DC	00 / SN / PH / DV	19K / 30K / 40K / 50K / 57K / 65K	70 CRI / 80 CRI	II / III / IV / V	01/02/03/04	Y / N	1 / 2
Cuesta Sol CS-PRE	60	NV=24V DC	00 / SN / PH / DV	19K / 30K / 40K / 50K / 57K / 65K	70 CRI / 80 CRI	II / III / IV / V	01/02/03/04	Y / N	1 / 2
Cuesta Sol CS-PRE	80	NV=24V DC	00 / SN / PH / DV	19K / 30K / 40K / 50K / 57K / 65K	70 CRI / 80 CRI	II / III / IV / V	01/02/03/04	Y / N	1 / 2
Cuesta Sol CS-PRE	100	NV=24V DC	00 / SN / PH / DV	19K / 30K / 40K / 50K / 57K / 65K	70 CRI / 80 CRI	II / III / IV / V	01/02/03/04	Y / N	1 / 2

Ordering Description Example									
Cuesta Sol CS-PRE	60	NV=24V DC	SN	50	80	IV	03	Y	1

Ordering Description									
Cuesta Sol CS-PRE	20	NV=12 DC							
Cuesta Sol CS-PRE	40	NV=12 DC							
Cuesta Sol CS-PRE	60	NV=24V DC							
Cuesta Sol CS-PRE	80	NV=24V DC							
Cuesta Sol CS-PRE	100	NV=24V DC							



**AMERICAN COMBAT VETERAN OWNED COMPANY**



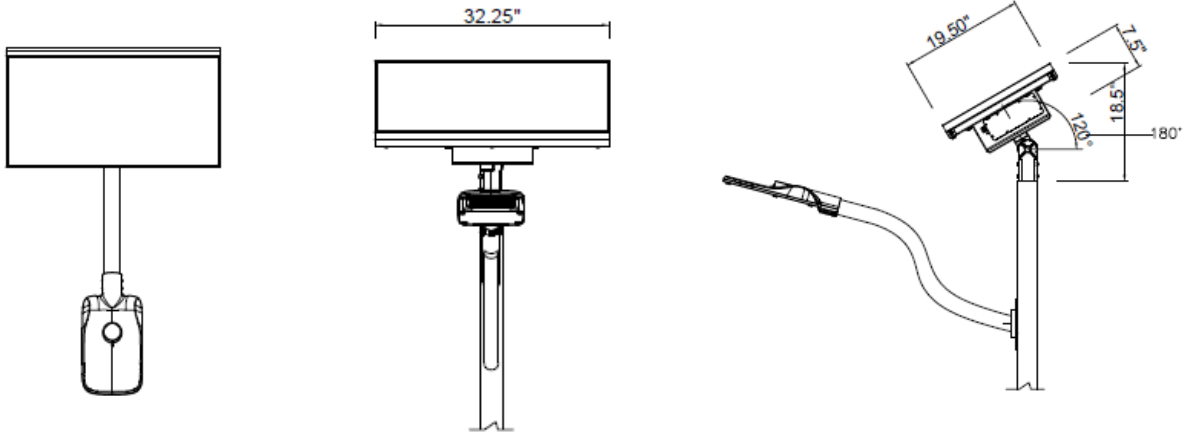
405-673-8684  
[www.gridshiftsolar.lighting](http://www.gridshiftsolar.lighting)



**Dimensions**

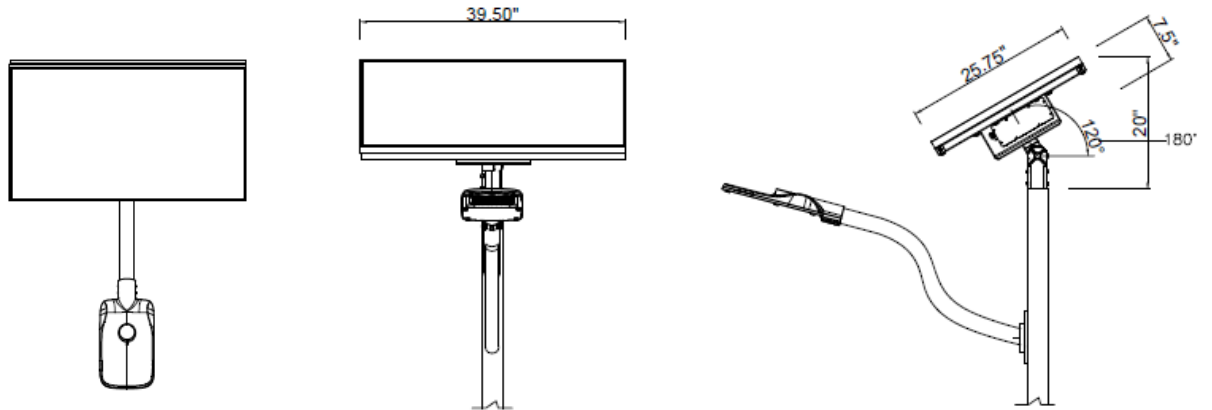
**CS-PRE-20W**

Weight - 42lbs  
 EPA - 4.2



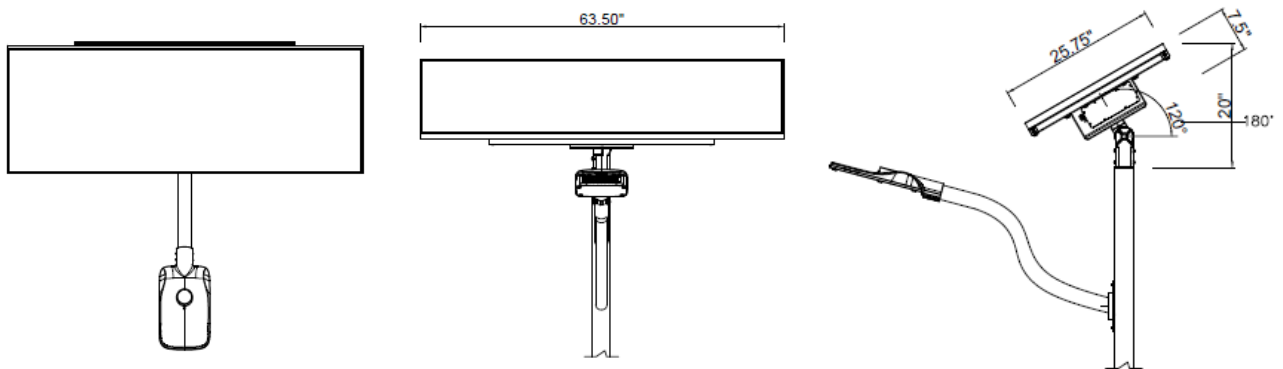
**CS-PRE-40W**

Weight - 45lbs  
 EPA - 5.5



**CS-PRE-60W**

Weight - 45lbs  
 EPA - 9



**AMERICAN COMBAT VETERAN OWNED COMPANY**

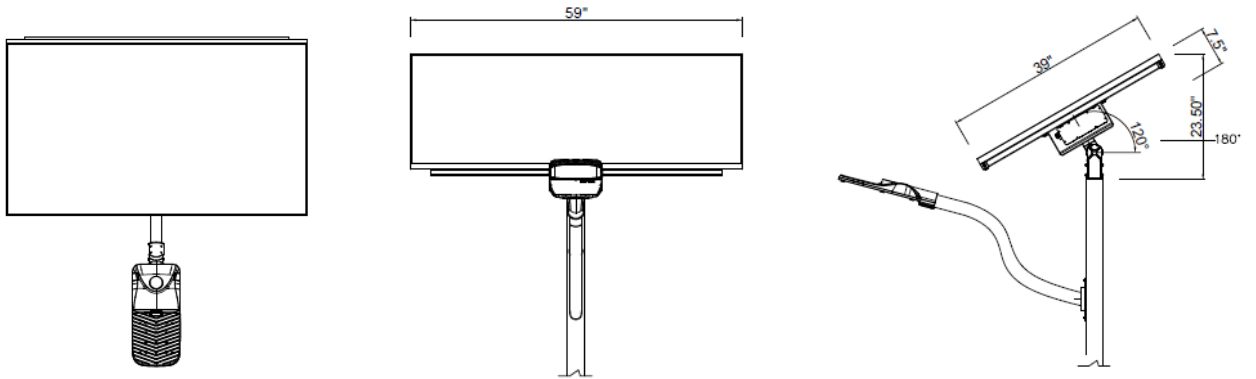


405-673-8684  
[www.gridshiftsolar.lighting](http://www.gridshiftsolar.lighting)



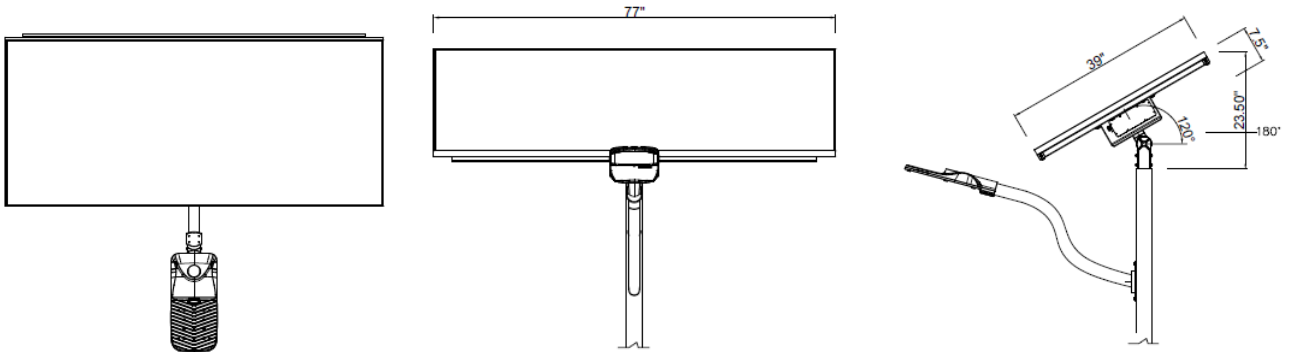
**CS-PRE-80W**

Weight - 98lbs  
 EPA - 9.6



**CS-PRE-100W**

Weight - 101lbs  
 EPA - 12.5



**AMERICAN COMBAT VETERAN OWNED COMPANY**



405-673-8684  
[www.gridshiftsolar.lighting](http://www.gridshiftsolar.lighting)

